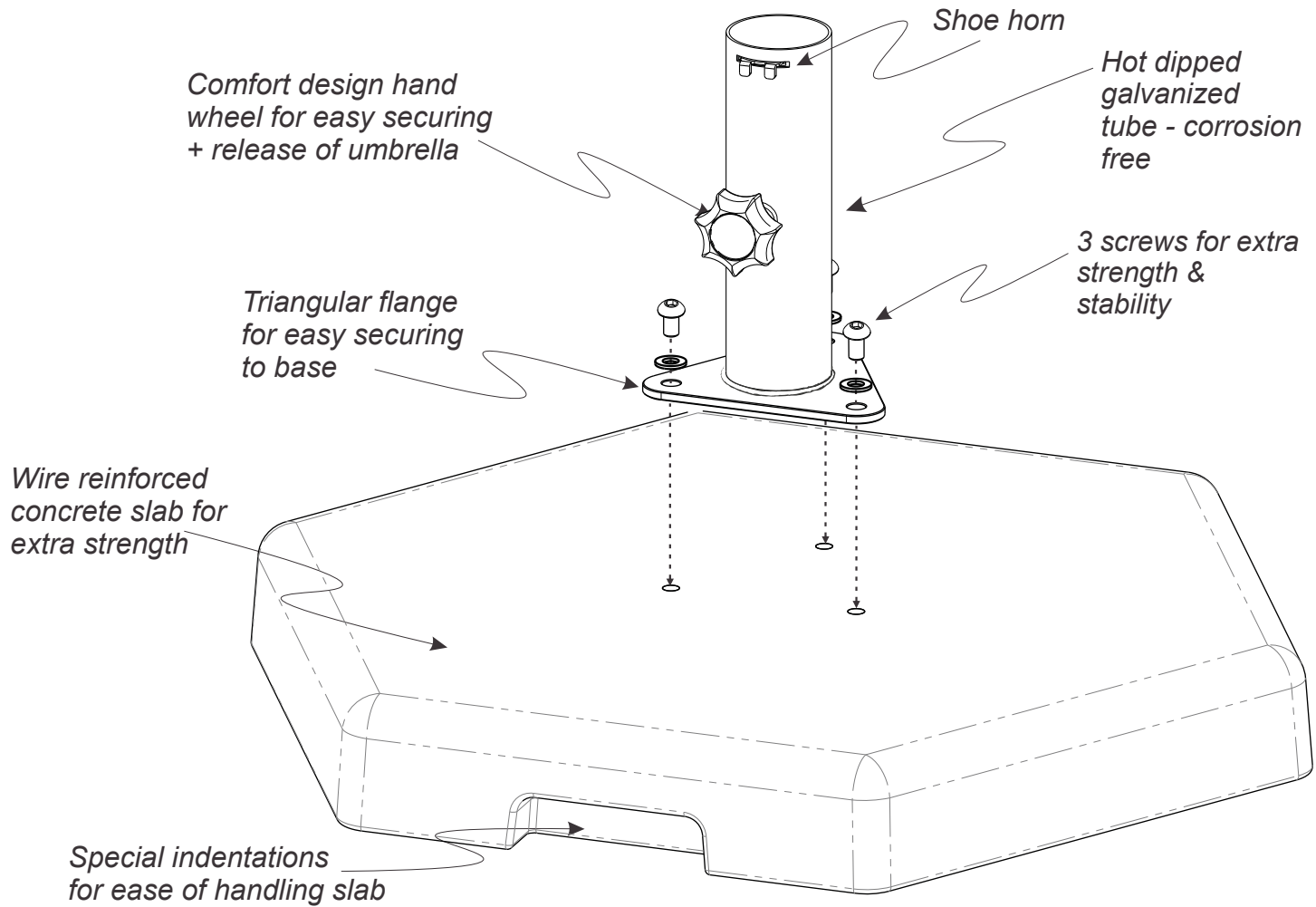


woodline

shade solutions

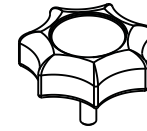
ASSEMBLY INSTRUCTIONS: 121LBS / 55KG CONCRETE BASE AND STAND



PACKED BY: _____ DATE: _____

CHECKED BY: _____ DATE: _____

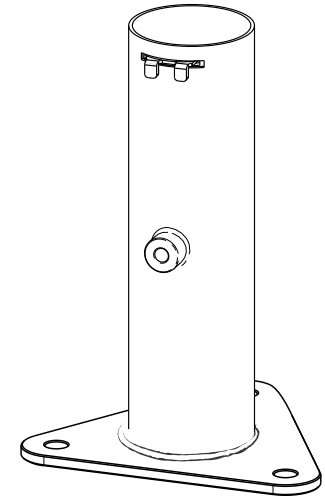
PARTS LIST



1 x FASTENING WHEEL

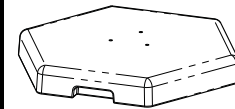
PACKED

1 x HOT DIPPED GALVANIZED METAL STAND



PACKED

1 x REINFORCED CONCRETE SLAB



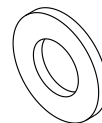
PACKED

3 x M10 x 16 BUTTON HEAD SCREWS



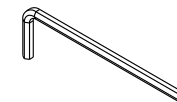
PACKED

3 x M10 WASHERS



PACKED

1 x 6mm ALLEN KEY

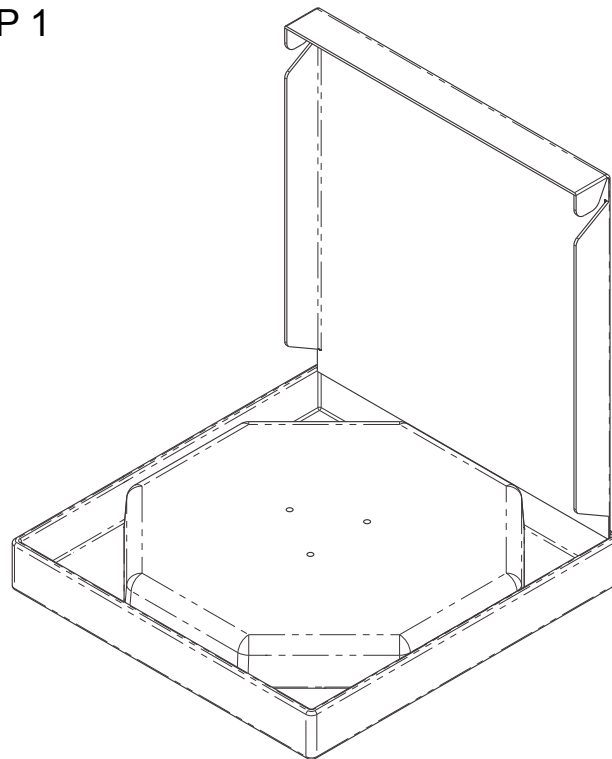


PACKED

woodline
shade solutions

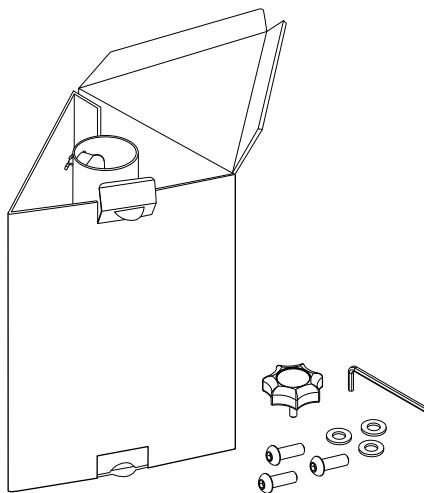
For alternative base options
please view our website
www.woodlineshade.com

STEP 1



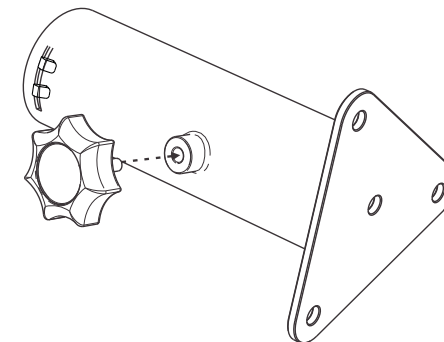
Open the flat square packaging box containing the concrete base.

STEP 2



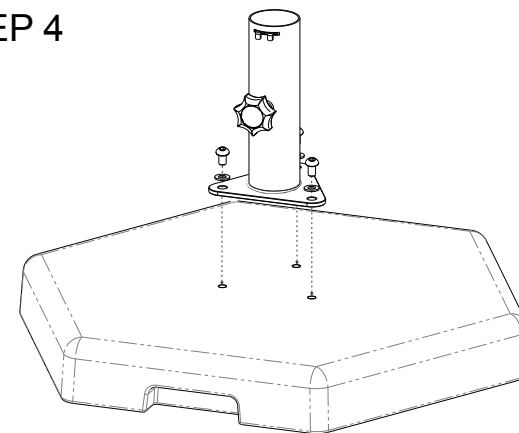
Open triangular box packaging containing the triangular galvanised metal stand, plus the allen key, fastening wheel, 3 x washers and 3 x screws in a ziploc bag.

STEP 3



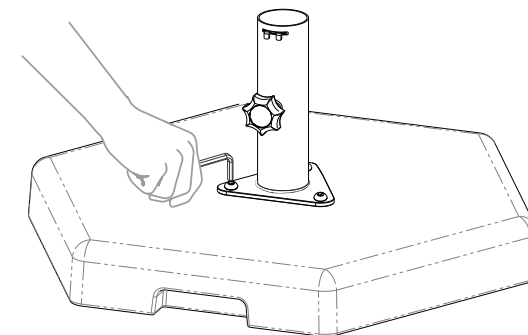
Attach the fastening wheel as illustrated above.

STEP 4



Secure the 3 x screws, washers and metal stand to base.

STEP 5



Use supplied allen key to ensure that all 3 screws are fastened tightly.
NOTE: The fastening wheel will need to be loosened when inserting the umbrella pole into the base.